



ADM-1819AP-VHB

Panel Mount 19-inch 1000 nits Very High Bright Sunlight Readable LCD Display Monitor

Features

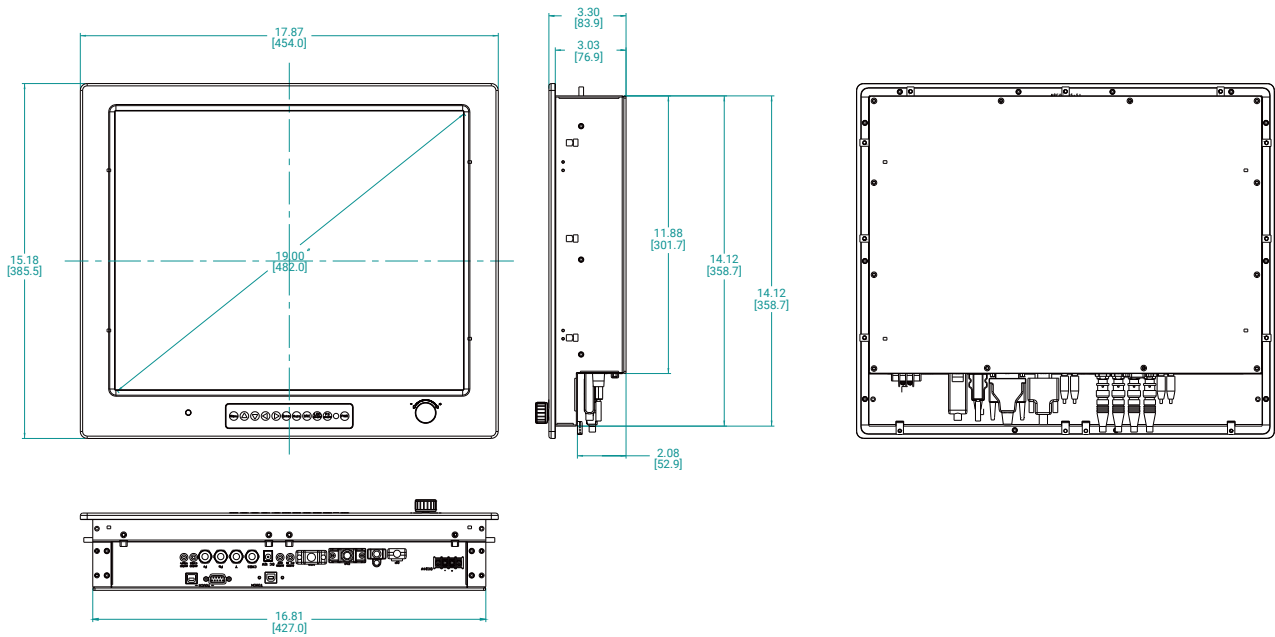
- 19-inch LCD Display, 1280 x 1024 resolutions
- 1000 nits Very High Bright Sunlight Readable
- 5-Wire Resistive Touch Screen or Tempered Glass
- RS-232, USB Touch Interface
- Powder Coated Aluminum or Stainless-Steel Bezel
- Bezel meets IP65 / NEMA 4X requirements
- VGA, DVI Input
- 24VDC Operating Voltage option

Specifications

Model Name	ADM-1819AP-VHB
LCD Display	
Display Size (Diagonal)	19"
Max Resolution	1280 x 1024
Backlight Lifetime (Hours)	50,000 hours
Visual Characteristics	
Colors	16 million
Aspect Ratio	5:4
Viewing Angle (V/H)	178° / 178°
Contrast Ratio	700:1
Brightness	1000 nits
Input Interface	
VGA	Yes
DVI	Yes
HDMI	N/A
Display Port	N/A
CVBS	N/A
YPbPr	N/A
Touchscreen	
Technology	5-Wire Resistive
Interface	RS-232, USB
Driver	WinXP, Win 7, Win10
Front Bezel	
NEMA 4	Black Powder Coated
NEMA 4X	Stainless Steel (Optional)
Power/Thermal Specs	
Power Requirement (Max)	12VDC / 3.00A, 24VDC / 1.50A
Power Consumption (Max)	22W
Recommended Power Supply	36 W
Heat Dissipation	75 BTU/hr
Physical Information	
Mounting	Panel Mount
Net Weight	17 lbs / 7.71 kg
Dimension (W x H x D)	17.80 x 14.60 x 2.39(*3.72) inch 452.1 x 370.8 x 60.7(*94.5) mm (*depth including power adaptor)
Recommended Cutout Dimension (WxH)	17.00 x 13.81 inch 432.0 x 351 mm
Environmental	
Operating Temperature	0~35°C (32~95°F)
Storage Temperature	-20~60°C (-4~140°F)
Humidity	5% to 95% (non-condensing)
Rating	Bezel Meets NEMA 4 / NEMA 4X requirements
Certification	N/A

Dimension Drawing

Model Name: ADM-1819AP-VHB
 Size Unit: inch(mm)



Ordering Information

Item	ADM-1819AP-000-VHB	ADM-1819AP-001-VHB
LCD Display	VHB 19" / 1280 x 1024	VHB 19" / 1280 x 1024
Touch Screen	5-Wire Resistive	5-Wire Resistive
Mounting	Panel Mount	Panel Mount
Enclosure	Black	Black
Power Supply	24VDC Input	12VDC Power Adaptor

Item	ADM-1819AP-004-VHB	ADM-1819AP-005-VHB
LCD Display	VHB 19" / 1280 x 1024	VHB 19" / 1280 x 1024
Touch Screen	5-Wire Resistive	5-Wire Resistive
Mounting	Panel Mount	Panel Mount
Enclosure	Stainless Steel	Stainless Steel
Power Supply	24VDC Input	12VDC Power Adaptor

Item	ADM-1819AP-Z00-VHB	ADM-1819AP-Z01-VHB
LCD Display	VHB 19" / 1280 x 1024	VHB 19" / 1280 x 1024
Touch Screen	No Touch	No Touch
Mounting	Panel Mount	Panel Mount
Enclosure	Black	Black
Power Supply	24VDC Input	12VDC Power Adaptor

Item	ADM-1819AP-Z04-VHB	ADM-1819AP-Z05-VHB
LCD Display	VHB 19" / 1280 x 1024	VHB 19" / 1280 x 1024
Touch Screen	No Touch	No Touch
Mounting	Panel Mount	Panel Mount
Enclosure	Stainless Steel	Stainless Steel
Power Supply	24VDC Input	12VDC Power Adaptor